



TOOLS NEEDED:

- Utility knife & straight edge
- Shears for cutting around irregular shaped objects (pipes)
- 8-10 mm spacers
- Measuring tape

QUANTITY AND WASTE FACTOR

At planning stage make sure you Purchase a minimum of 10% extra to cover mistakes, trimming, and for future needs and or replacement. When you fit Herringbone – you might need even 15%. Most installations require about 10% overage. However, this can vary depending upon the room size and layout. Consulting with the fitter assign to the job will be helpful too.

IMPORTANT TIP

Do not install Strong SPC Structure over carpet or any foam underlayment. SPC product is not suitable for any outside use, sunrooms/conservatory, saunas, or rooms that have the potential of flooding. We also highly recommend you do not install in rooms that are not temperature controlled. Exposure to long term direct sunlight can cause damage to your floor

BEFORE INSTALTION

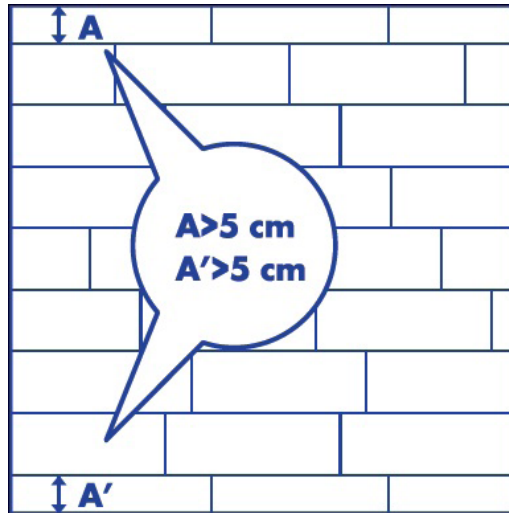
You MUST store Strong SPC Structure horizontally in the room of installation for 24-48 hours prior to installation. Be sure the room temperature is between 16° and 24°C. Do not remove the planks from the case during this acclimation period! Maintain this temperature during installation (2 days minimum). For underfloor heating systems – Please visit our UFH on Engineered section.

SUBFLOOR PREPARTION

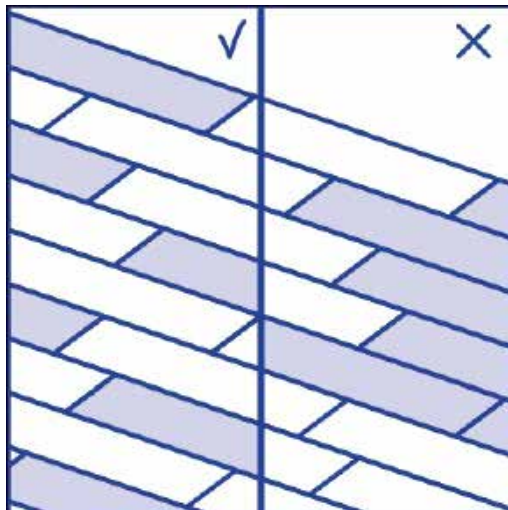
Subfloor surface must be smooth, flat, dry, clean and solid. Carpet staples or adhesive residue must be removed to insure proper installation. Subfloors should be flat within a tolerance of 4 mm over a span of 3 meters. Any unevenness over 4 mm must be sanded down or filled with a floor leveler. Voids or humps in the subfloor will prevent Strong SPC Structure from locking properly. Subfloors must be carefully checked for moisture problems. Strong SPC Structure is waterproof. It is NOT a water-proofer. Any moisture problems need to be addressed prior to installation. New concrete floors need to cure for 2.5% Moisture content.

INSTALTION

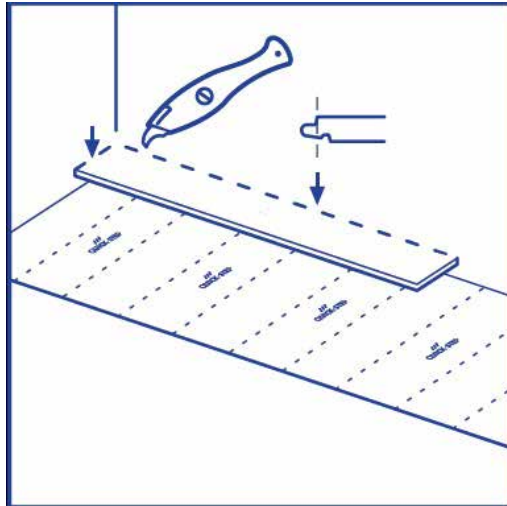
1. Measure the room before you start fitting. Make sure that the last row of panels is at least 5 cm wide when finishing the installation.



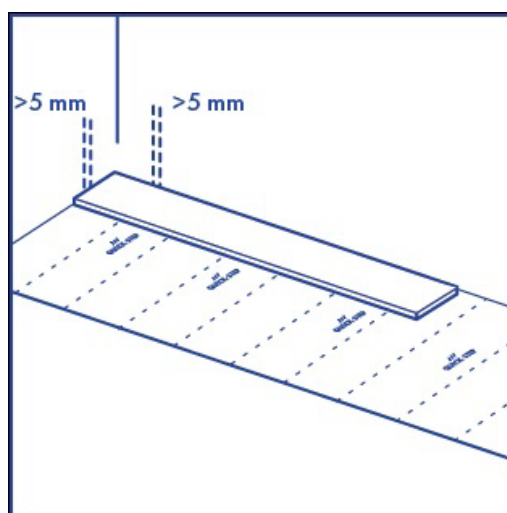
2. During installation, make sure that you mix up the floor panels sufficiently so that there are not too many identical, lighter or darker panels next to each other. To obtain the best visual effect, it is best to fit the panels in the direction of the longest wall and parallel to the incidence of light. Ensure that the end joints of the panels in 2 successive rows are never in line, they should be staggered by at least 30 cm.



3. First, start in the left corner of the room and fit an underlay if needed. The underlay should be installed progressively together with the floor installation. We strongly recommend to use our underlays, which have an insulating, sound-reducing and leveling function. An underlay which is too soft or made from the wrong material will damage your floor.

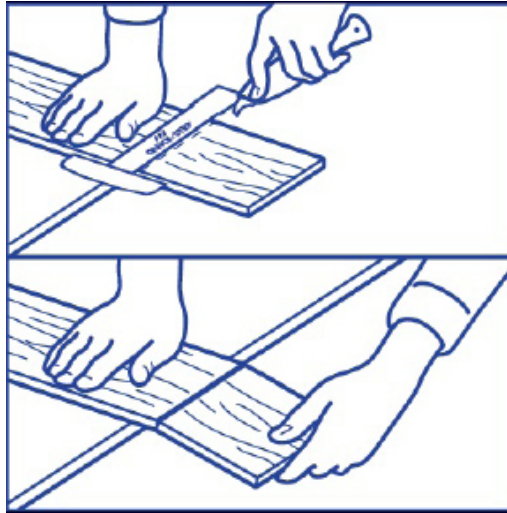


4. Fit the plank with cut off sides against the walls. Make sure that you leave an expansion joint of 5 mm. For installations with floor heating, we recommend to leave an expansion gap of 10 mm.

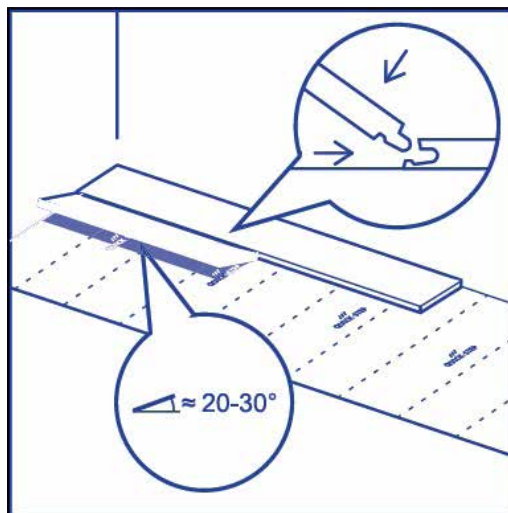


5. Supremo Rigid Core can easily be cut using a cutter or utility knife with the decor side face up. When cutting the vinyl plank, mark the line and use the knife to make a firm cut

in the surface. Then break off the plank using both hands.

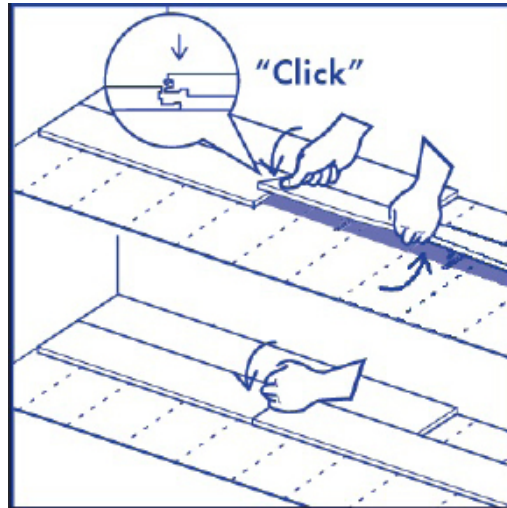


6. Turn the long side of the first panel of the second row into the already fitted panel at an angle of 20 to 30°. Move the panel to be fitted slightly up and down and at the same time exert some forward pressure. The panels will click together.

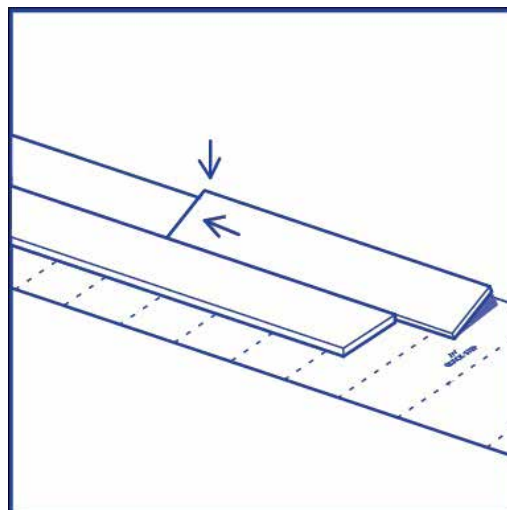


7. Then slide the third plank together horizontally. Slightly lift the plank to be installed by holding your hand underneath. Push the short side joint down gently with your thumb moving from the inner corner towards the outside until you hear a "click". Ensure the short side ends are closed by knocking gently on the short side click connection with your wrist. Don't use a hammer or tapping block as it may possible harm your click con-

nection. This is the easiest method for fitting the Supremo Rigid Uniclick click panels.

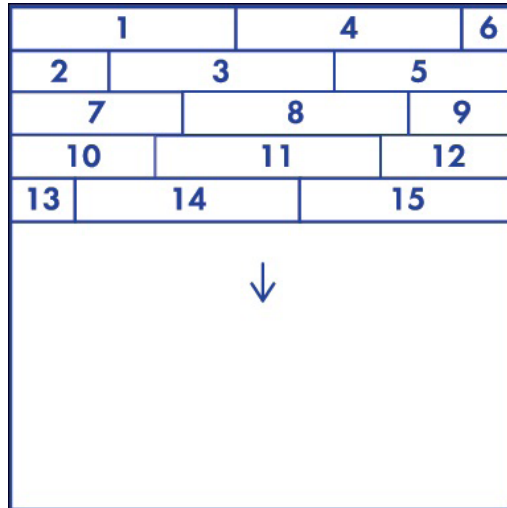


8. Now connect the panels of the first two rows on the short sides. Check the expansion gap of and make sure the first rows are on a perfect straight line. You can check this by holding a thin rope along the installed planks and adjust the straightness of your floor when necessary. An expansion gap of 8 mm along the perimeter should be maintained. In the width and in the length direction of the planks there is no need for extra expansion gaps.



9. Continue the installation like this row by row towards the end of the room. Always check each joint before continuing. You can press down gently with your thumb on top

of every short end joint to ensure good locking.



CARE & MAINTENANCE

Congratulations! You have just installed Strong SPC Structure. Your new resilient floor was produced under the highest quality standards and will provide you with a lifetime of enjoyment. Although Strong SPC Structure is one of the easiest floors to maintain, please follow the recommendations in this guide to retain the fresh look and protect the factory finish.

Preventive maintenance:

1. Use NON-RUBBER protective mats in front of any doors leading to the outside. This helps keep the sand and grit from getting on to your floors. Gritty sand is any floor covering's worst enemy.
2. Install proper floor protectors (felt preferred) on all furniture legs used on resilient flooring. Protectors will allow chairs to move easily over the floor without scuffing or scratching. Clean protectors on a regular basis to remove any grit that may have become embedded on the bottom of the furniture leg. For any swiveled type of office chairs and other rolling furniture, please install 5 cm wide non-staining flat casters. Do not use rubber casters.

3. To keep your floor looking its best, dust mop or vacuum your floor at least twice a week. Do it more often on floors with heavy traffic. Do not use a household dust cleaner of any kind as this may cause the floor to become slick or damage the finish. Simply sweep the floor as often as needed.
4. Do not allow pets with unclipped nails to damage your Strong SPC Structure floor. It may result in severe scratching to the surface. The same is true for any high heeled shoes that do not have proper tips on the heels.
5. Avoid exposure to direct sunlight for prolonged periods of time. During peak sunlight hours, use drapes or blinds to minimize the direct sunlight on the Strong SPC Structure floor. Most types of flooring will be affected by continuous strong sunlight. To avoid an uneven appearance, please consider relocations of any area rugs from time to time. In addition, excessive temperatures are not good for resilient floors. Some natural ventilation or intermittent air conditioning in vacant homes should be considered. Long term continuous inside temperatures over 35°C combined with strong direct sunlight will damage your Strong SPC Structure floor and cause the installation to fail.
6. Do NOT use a steam cleaner on Strong SPC Structure flooring as it may result in permanent damage to your floor and will void the warranty.

BS 8203:2017 Installation of resilient floor coverings - code of practice
All fitting instruction are subject to and in line of British Standards: BS 8201