



## INSTALLATION INSTRUCTIONS FOR SPC Herringbone FLOORING

- All instructions and recommendations must be followed for satisfactory installation and warranty.
- Although acclimation is not specifically required, best installation practice recommends that the product be installed close to intended occupied service temperature, generally a target of 70° F (21 °C), but at least between 55°F (13°C) and 100°F (38°C).
- Install SPC herringbone flooring only after the jobsite has been cleaned and cleared of unneeded building material that may damage a finished installation.
- Mix and install product from several different cartons to achieve desirable plank variation.
- SPC herringbone flooring is designed to be installed as a Unidrop X system, stronger connection, and easier fold-down installation.
- Storage of this product should be All cartons containing vinyl tile or plank flooring should be stored on a dry, flat, level surface.

## SPC Herringbone FLOOR INFORMATION

- Careful and correct preparation of the SPC FLOOR is a major part of a satisfactory installation SPC herringbone flooring is designed using a "floating floor" installation method Although SPC will bridge minor floor imperfections and gaps; heavy roughness or unevenness in the SPC FLOOR may telegraph through the new floor covering.
- Never install SPC herringbone flooring products over residual asphalt-type (cut back) adhesive. Residual cut back adhesive should be completely removed and covered with high quality latex underlayment.
- SPC herringbone flooring does not require an underlayment pad It is important that the sub floor is clean and free from dirt or debris.

## WOOD SUBFLOORS

- SPC herringbone flooring can be installed over many wood substrates that are not suitable for fully adhered products. If they are smooth, flat, structurally sound and free of deflection, acceptable substrates include, article board, chipboard, flake board and OSB.



- Caution: Damage may occur on wood panel subfloors during construction. The suitability of these floors is the responsibility of the installer.
- If the surface of the wood subfloor is not smooth, a 1/4" (6.4mm) underlayment panel should be installed over the subfloor. Any panels selected as an underlayment must meet the following criteria.
  - ⇒ Be dimensionally stable.
  - ⇒ Have a smooth, fully sanded face so the graining or texturing will not showthrough.
  - ⇒ Be resistant to both static and impact indentation.
  - ⇒ Be free of any surface components that may cause staining such as plastic fillers, marking inks, sealers, etc.
  - ⇒ Be of uniform density, porosity, and thickness.
  - ⇒ Have a written warranty for suitability and performance from the panel manufacturer or have a history of proven performance.

#### CONCRETE SUBFLOORS

- Concrete subfloors must be dry, smooth, and free from dust, solvent, paint, wax, grease, oil, asphalt sealing compounds and other extraneous materials. The surface must be hard and dense and free from powder or flaking.
- Surface of the slab should be flat to within 3/16" (4.8 mm) in 10' (3048 mm) and 1/32" (0.8 mm) in 12"(305 mm).
- New concrete slabs must be thoroughly dry (at least six weeks) and completely cured.
- All concrete slabs must be checked for moisture before installing material. The final responsibility for determining if the concrete is dry enough for installation of the flooring lies with the floor covering installer. SPC herringbone flooring must never be installed where excessive moisture emissions may exist. In accordance with ASTM F1869 moisture emission from subfloor cannot exceed 8 lbs MVER (moisture vapor emission rate) per 1,000 sq. ft. per 24 hours as measured with the calcium chloride test or ASTM F 2170 In.
- Situ Relative Humidity Test not to exceed 85%. Endro by Cordalera will not assume responsibility for floor covering failure due to hydrostatic pressure or excessive moisture vapor emission. New concrete slabs must be thoroughly dry (at least six weeks) and completely cured. Although the planks are not susceptible to damage from moisture, excessive subfloor moisture can be a breeding ground for mold, mildew, and fungus. All of which can contribute to an unhealthy indoor environment. The Limited Warranties do not cover issues arising from flooding, leaking plumbing or appliances, water entering through sliding glass doors, presence of mold, discoloration from mold or fungi or similar conditions.

- Holes, grooves, expansion joints and other depressions must be filled with a high-quality cementitious patching & levelling compound, trowelled smooth and feathered even with the surrounding surface.

## EXISTING FLOOR COVERINGS

SPC herringbone flooring can also be installed over most existing hard-surface floor coverings provided that the existing floor is well bonded, and the surface is flat and smooth.

- Ceramic tile unevenness should be made smooth by applying an overlay such as cementitious patching or levelling compound.
- Existing floors should not be heavily cushioned and not exceed one layer in thickness.
- Do not install over carpet.
- Floor should be flat, smooth, dimensionally sound, and free from deflection.

## INSTALLATION

SPC herringbone flooring is designed to be installed as a "floating" floor. Do not secure the planks to the subfloor. Always undercut wood doorjambs. Check local building code for metal door jamb. If they cannot be cut, then proper expansion must be maintained around door jamb.

We recommend fitting this product with our specific [Underlay Supremo Vinyl 1.5mm](#) (Unless the product has pre applied underlay already, in this case do not use any type of underlay but the pre applied underlay).

It needs to be installed on top of a 100% straight, rigid, and even subfloor (We highly recommend using self-levelling compound to reach high enough degree of evenness).

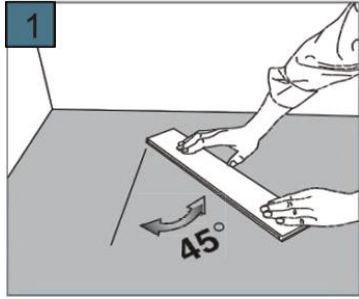
When installing on top of screed the screed moisture must not exceed 2%.

<b>Installation Highlight</b>	If the sub floor is made of wood floorboards a minimum 18mm plywood should be applied and secured before fitting the LVT
-------------------------------	--

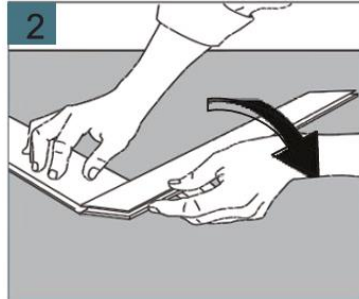
We strongly recommend that Vinyl flooring tiles must be installed only on dry screed subfloor and only ***by a professional fitter.***

Installing this product on top of an uneven subfloor or unsuitable underlay will cause the click system to fail and the floor to get damaged over time.

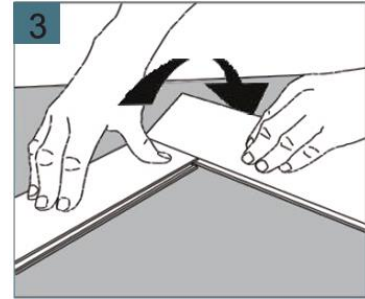
You must create an expansion gap or barrier every 30m<sup>2</sup> when fitting LVT.



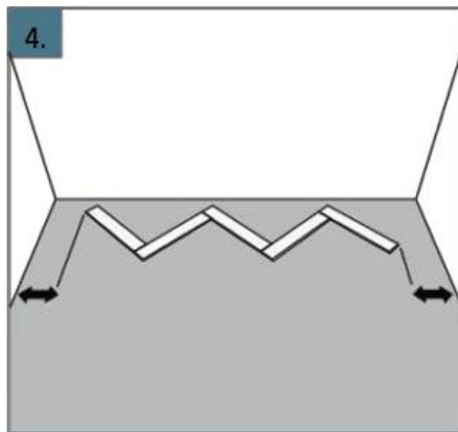
**1. Getting started.**  
Choose a wall to start at and begin installing at the left corner. Start with an A-panel and place it with its long side marking facing the left wall at an angle of 45°. Make sure that the distance between the left wall and the panel is less than the length of one panel.



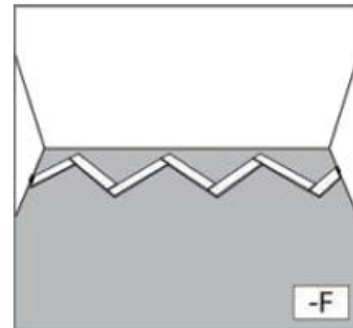
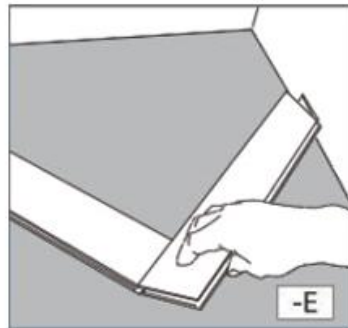
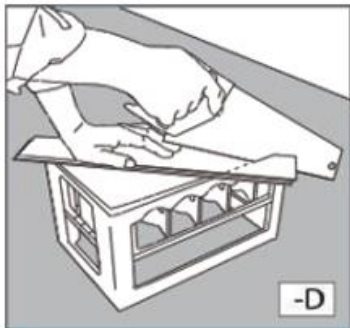
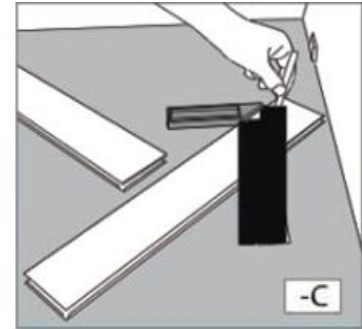
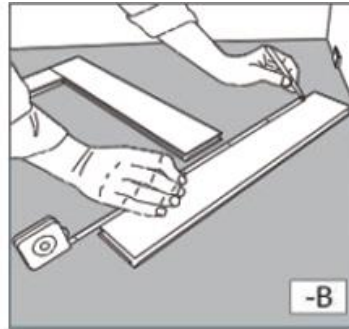
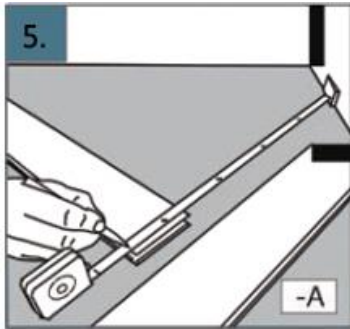
**2. Connect next panel**  
Continue with a B-panel. Press the long side of the B-Panel at an angle against the short side of the previous installed A panel. Fold down the B-panel flat to the floor to lock the panels tightly together. Check that the grooves on the two panels form a continuous line.



**3. Connect additional panels**  
Next panel is an A-panel. Again, press the long side of the new A-panel at an angle against the short side of the previous B-panel and fold down. Continue like this with as many panels as may fit along the starting wall.

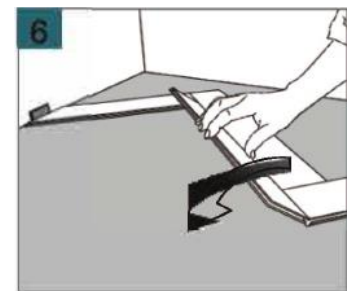


**4. Center the first row**  
Check that the first row of panels is centered along the starting wall. Make sure that the distance to the walls on both sides are less than the length of one panel. If not, add a panel at the right side.

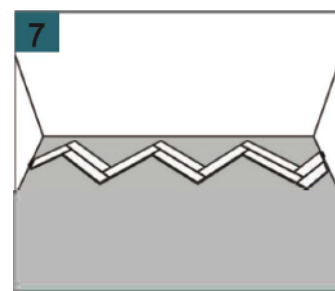


## 5. Cut the end panels to size

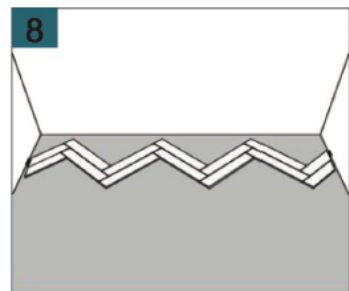
Measure and cut the end panels to size using a fine-toothed saw. Finish the first row with the cut end panels. Make sure that you leave a gap of 10mm to each wall.



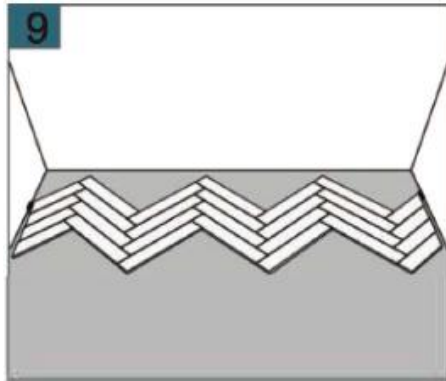
**6. Start the second row**  
Start the next row with an A-panel. Place the new panel against the previous row and fold down.



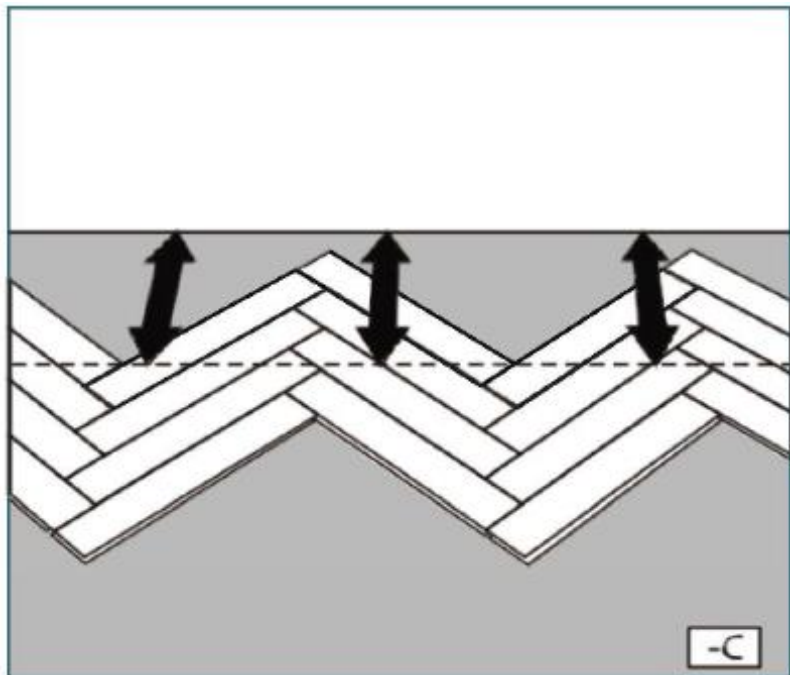
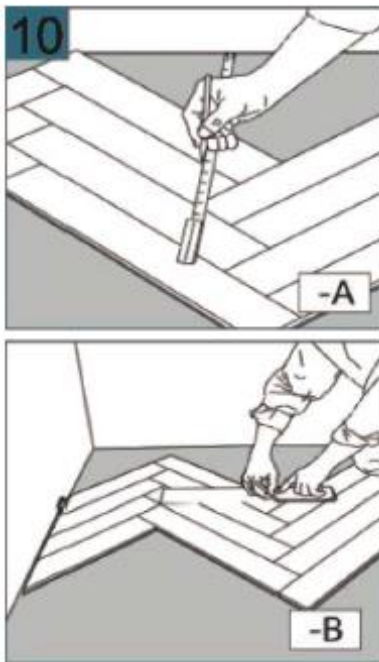
**7. Install the A-panels** Continue from the left to the right and install all the A-panels in the second row. Finish with a piece of panel cut to size (step 5).



**8. Continue with the B-panels** Now work in the opposite direction, from the right to the left and install all the B-panels in the second row. Finish with a piece of panel cut to size (steps)

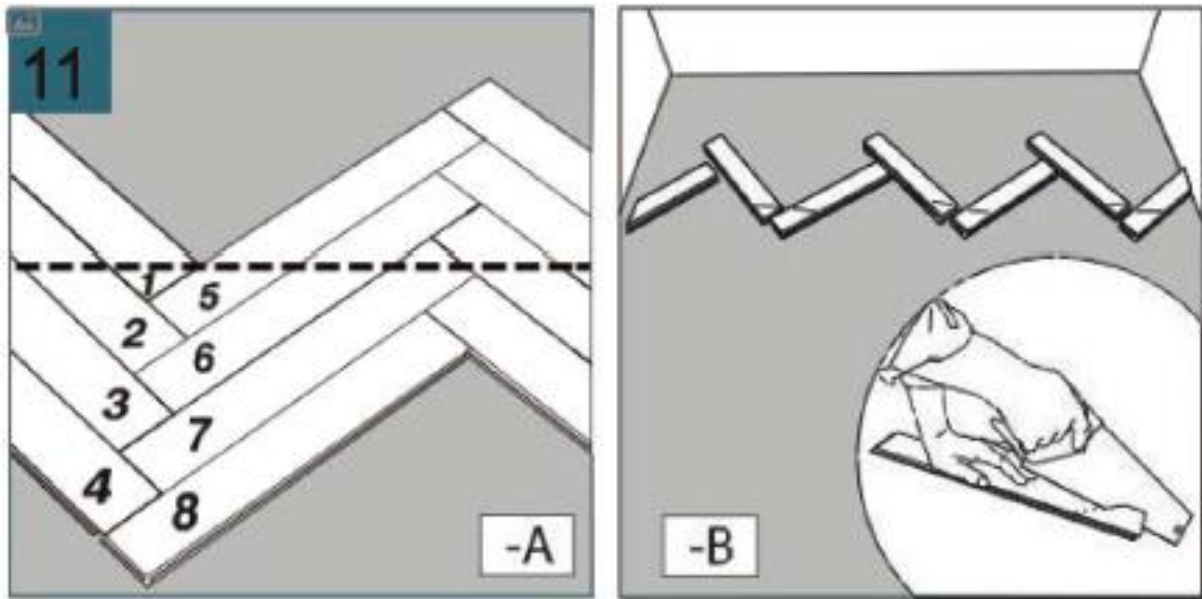


9. Complete four rows Install additional rows to complete four full rows.



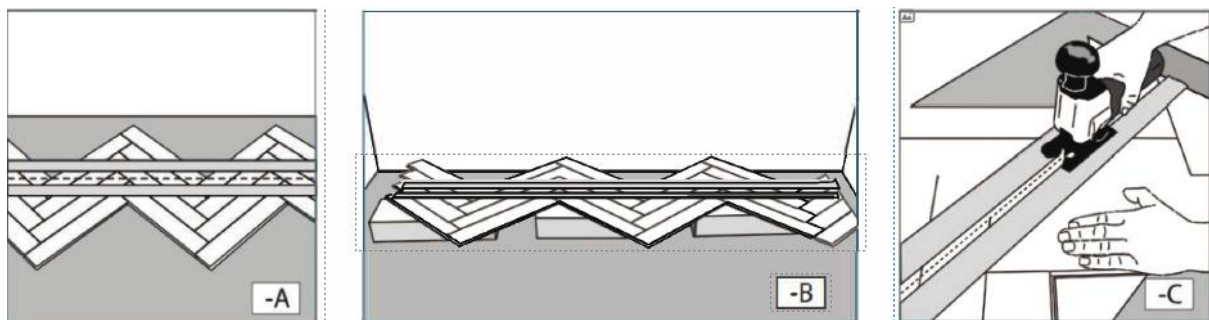
## 10. Adjust the starting rows

The first four rows have to be cut parallel to the wall. Measure and mark where to cut the floor panels at a fixed parallel distance to the wall.



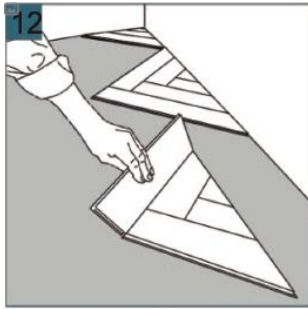
### 11. Dismantle and cut

Number the panels from 1 to .... This will allow you to keep the panels in order. Dismantle the panels and cut them to size along the previous marked line.



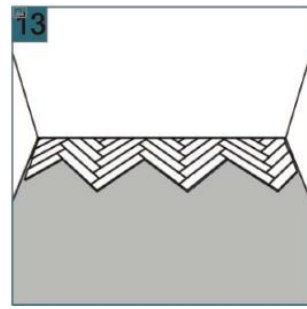
### 11. Alternative way to cut the first rows

Leave the left end-panels uninstalled. Tape along the marked line and place the flooring on top of a few flooring packages. Cut along the marked line. Then put the adjusted rows into place. Complete the first rows by installing the remaining end-panels. Start with the end-panel in the last row and finish at the first row.

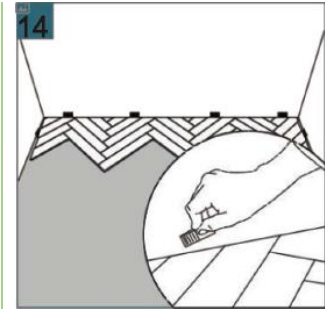


12. Install the starting triangles. Connect the cut starting panels to form triangular shapes, one by one.

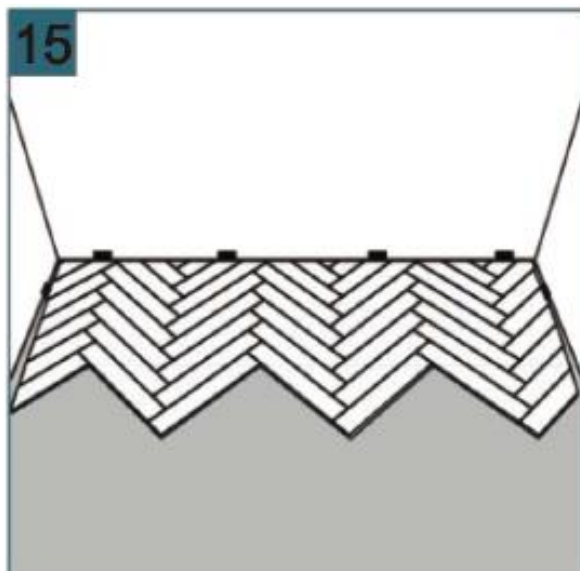
Start installing the triangles from the left corner. It is recommended to use glue to fix the smallest parts of the triangles into place by applying a small quantity of glue inside the groove.



13. Install a few more rows. Connect the triangles by installing a few additional rows of panels. Start each row from the left to the right with the A-panels, finish with the cut piece of panel (step 5) and then install all the B-panels in the row. Finish with the left end panel, cut to size.



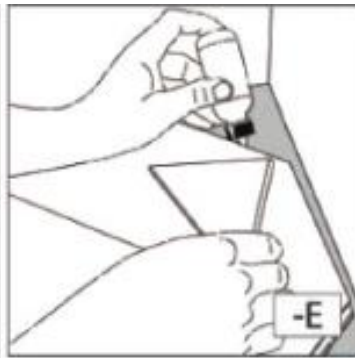
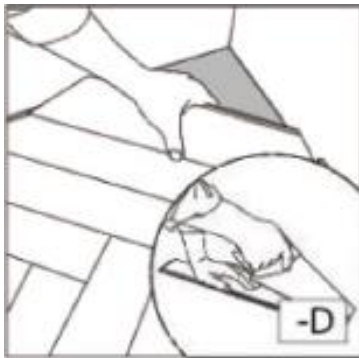
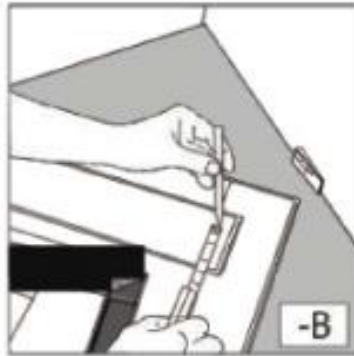
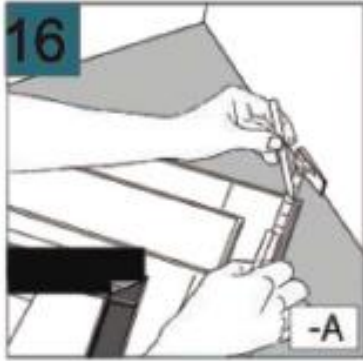
14. Put in spacers. Put in spacers between the flooring and the wall to ensure an expansion gap of 10mm.



15. Subsequent rows

Start each subsequent row by installing the A-panels from the left to the right and complete the row by laying the B panels from the right to the left.





16. Last row  
Measure and cut the panels in the last row to size. It is recommended to use glue to install the smallest pieces of panels. Apply a small quantity of glue inside the groove.



17. Spacers and skirting  
Remove the spacers and cover the expansion gap with skirting boards or beadings.